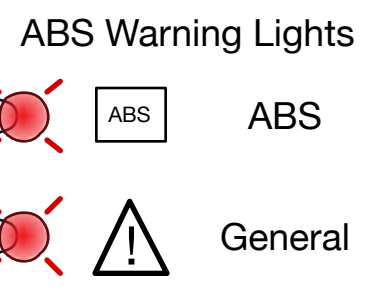
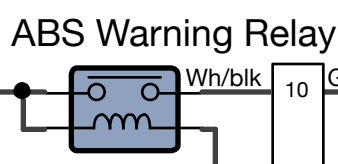
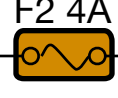
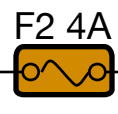
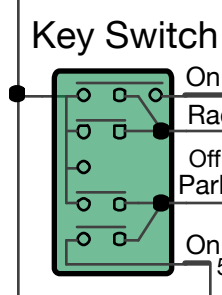
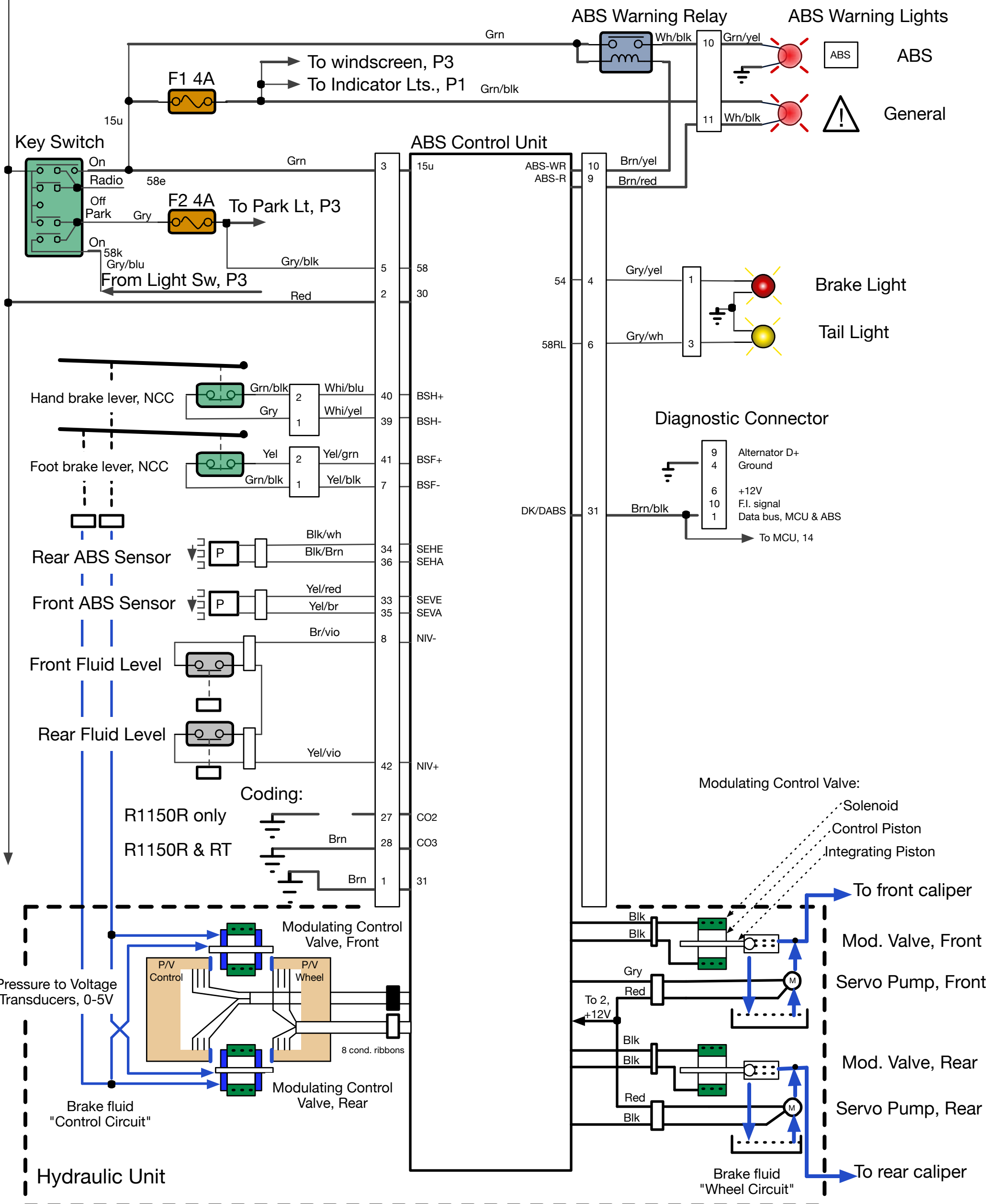
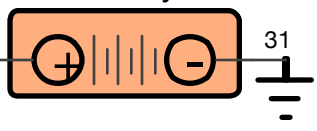
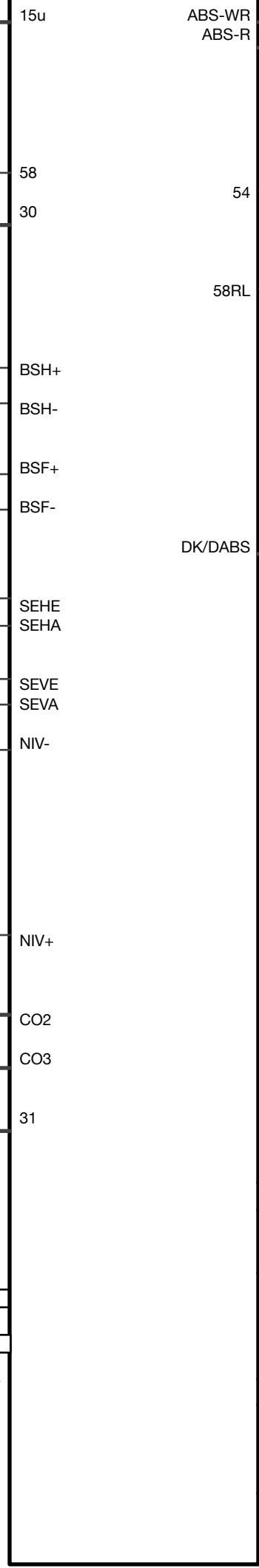


R1150RT: 30-87a-87

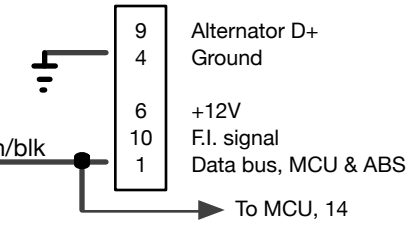
30u
+12V



ABS Control Unit

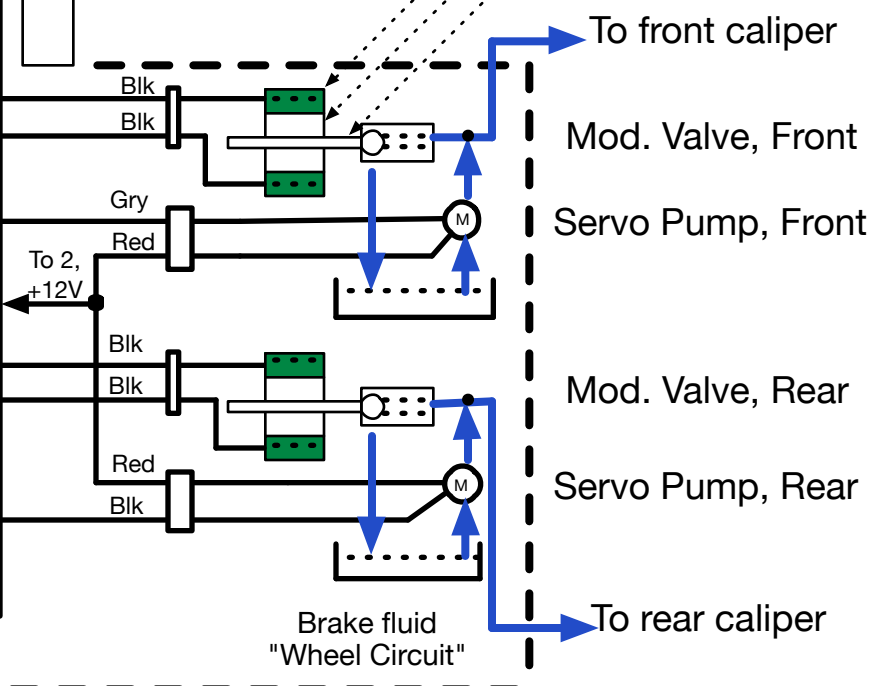
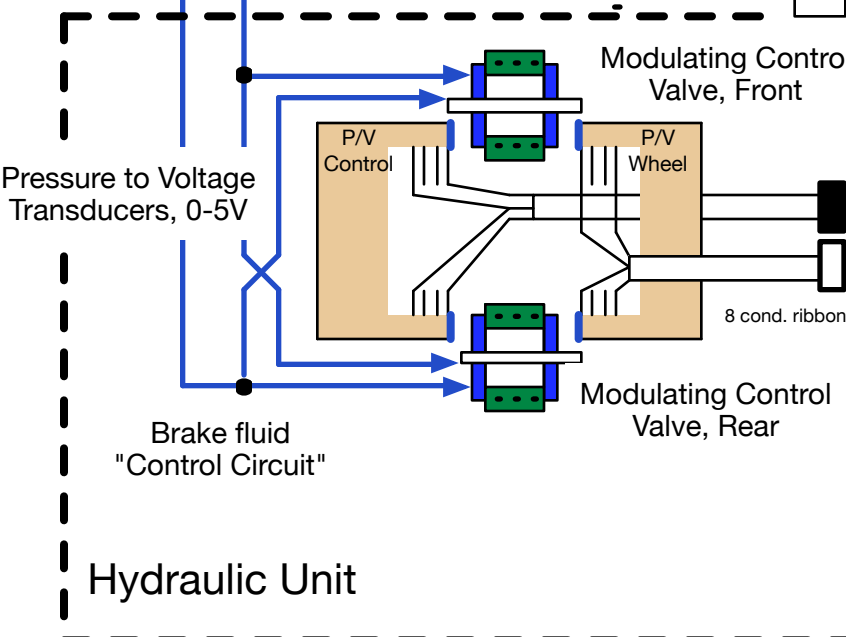


Diagnostic Connector



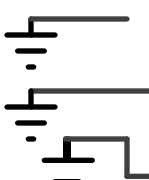
Modulating Control Valve:

- Solenoid
- Control Piston
- Integrating Piston



Coding:

R1150R only
R1150R & RT



BMW R1150RT Electrical Schematic
P 3 of 3 Models 2001-2003
V3.3, 9/17/2014 DTR

(c) Doug Raymond 2014

